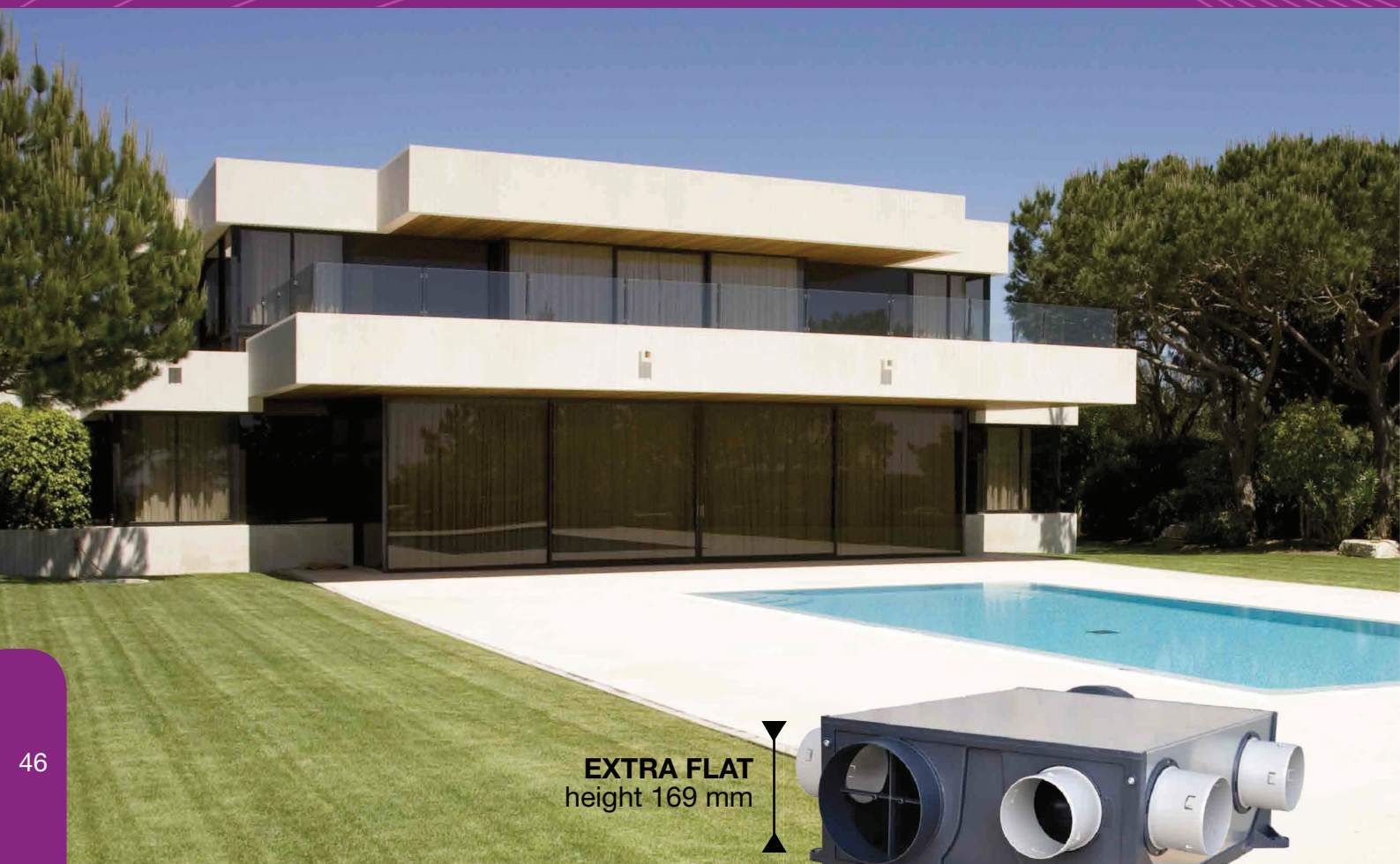


# CMV

## HUMIDITY CONTROLLED SINGLE-FLOW



46

**EXTRA FLAT**  
height 169 mm



## MODULO 2 COMPACT R-CONTROL

Certified   
VENTILATION HYGROREGLABLE

System under technical recommendation N°14/14 - 1955

UNIVERSAL UNIT FOR ACCOMMODATION WITH 1 TO 7 rooms and up to 4 bathrooms

Specially adapted for RT 2012 and LOW ENERGY CONSUMPTION BUILDINGS

Brushless motor with electronic control and VERY LOW ELECTRICITY CONSUMPTION (12 W Th-C\*)

SILENT, 37.7 dB(A) at the kitchen vent

ULTRA COMPACT 169 mm special for false ceiling installation

**NATHER**

\* 4 rooms (1 WC + bathroom)

# INDIVIDUAL HOMES

Extra flat humidity controlled single-flow CMV

## MODULO 2 COMPACT R-Control



DOMESTIC APPLICATION



COLLECTIVE ACCOMMODATION



ENERGY EFFICIENT



RENOVATION



Intended for refreshing the air in your house, the MODULO 2 COMPACT R-Control, combined with specific extraction vents, continuously adapts the air flow rates to be extracted depending on the humidity and the presence of residents. It greatly limits thermal losses due to air exchanges and reduces electricity consumption to the strict minimum. It is suitable for all types of home, from 1 to 7 rooms, equipped with 1 kitchen and up to 4 bathrooms. Ideal for low energy houses, it can be installed in false ceilings, cupboards, tiny rooms or attics in all positions. It is suitable for any style of home, from 2 to 7 rooms with 1 kitchen and up to 6 bathrooms. It is installed mainly in attics.

### DESCRIPTION

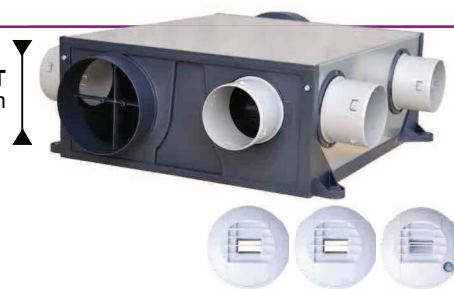
- 1 kitchen extraction branch pipe Ø 125 mm
- 4 bathroom waste air extraction branch pipes, Ø 80, (with caps)
- 1 discharge branch pipe to the outside, Ø 160
- Duct brackets on all branch pipes.

### RANGE

- Modulo R-Control unit only
- Single-flow humidity controlled CMV kit A
- Single-flow humidity controlled CMV kit B

Manually controlled vents	Economical and effective
Electrically controlled vents	Wired installation and ease of use
Battery controlled vents	Easy installation and easy to use

EXTRA FLAT  
height 169 mm



### CONSTRUCTION

- Galvanized steel casing; ABS front and back
- Brushless motor with electronic control and ball bearings
- Thermal safety switch
- Centrifugal turbine with action specially developed for the humidity controlled ventilation application

### INSTALLATION

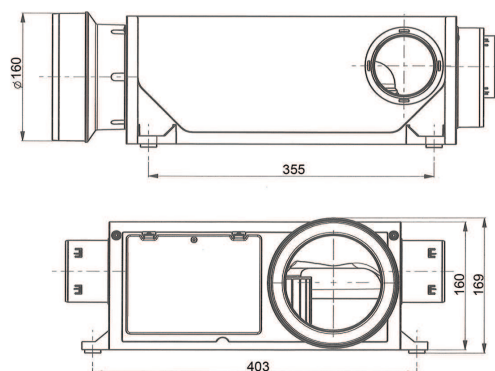
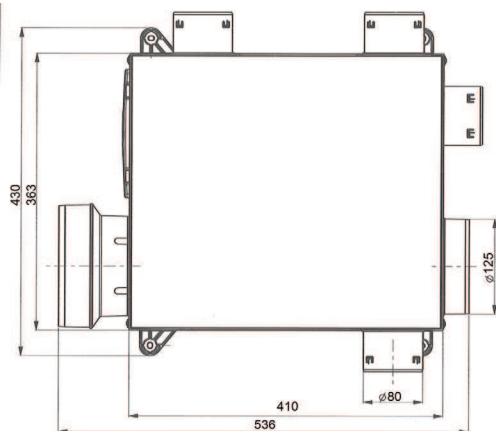
- Fixing feet for mounting on all supports in all positions
- Duct retention and air-tightness by duct brackets
- Ergonomic electrical connection hatch on the discharge branch pipe face

# INDIVIDUAL HOMES

Extra flat humidity controlled single-flow CMV

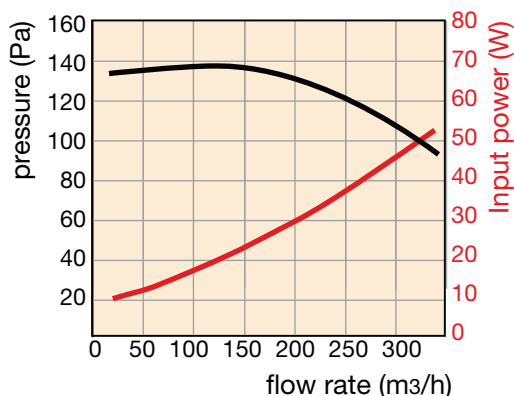
## MODULO 2 COMPACT R-Control

### DIMENSIONS



Weight: 4.3 kg

### VENTILATION FEATURES



### ELECTRICAL FEATURES

Power supply	230 V - 1Ph - 50 HzW
Current consumption	0.49 A
Power W-TH-C	
1 to 7 rooms	12.4 to 12.1 W Th-C
4 rooms 2 bathrooms Hygro B	10.7 W Th-C
Insulation class	II

### ACOUSTIC FEATURES

Acoustic power level at kitchen vent  
LwA: 37.7 dB (A)

### VENTS AND ACCESSORIES



Kitchen vent with cord with  $\varnothing$  125 plasterboard sleeve with seal, continuous flow rate with automatic humidity modulation, peak flow rate commanded by cord, 30 min timed



Electric kitchen vent with cord with  $\varnothing$  125 plasterboard sleeve with seal, continuous flow rate with automatic humidity modulation, peak flow rate commanded by pushbutton, 30 min timed



Battery kitchen vent,  $\varnothing$  125, with plasterboard sleeve with seal, continuous flow rate with automatic humidity modulation, peak flow rate commanded by pushbutton, 30 min timed



WC timed vent with cord with  $\varnothing$  80 plasterboard sleeve with seal, reduced flow rate during unoccupied periods, peak flow rate commanded by cord - 30 min timed



WC electric timed vent with cord with  $\varnothing$  80 plasterboard sleeve with seal, reduced continuous flow rate, peak flow rate controlled by push-button - Timed 30 min



Battery WC timed vent with plasterboard sleeve with seal,  $\varnothing$  80, reduced continuous flow rate, peak flow rate commanded by presence detection - 30 min timed



Self-adjusting WC vent with plasterboard sleeve with seal,  $\varnothing$  80, fixed continuous flow rate



Bathroom vent with  $\varnothing$  80 plasterboard sleeve with seal continuous flow rate with automatic humidity modulation